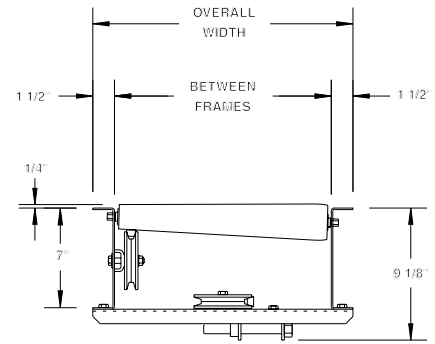
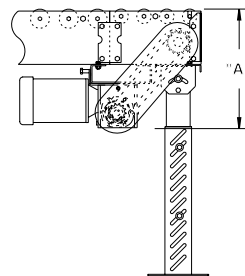
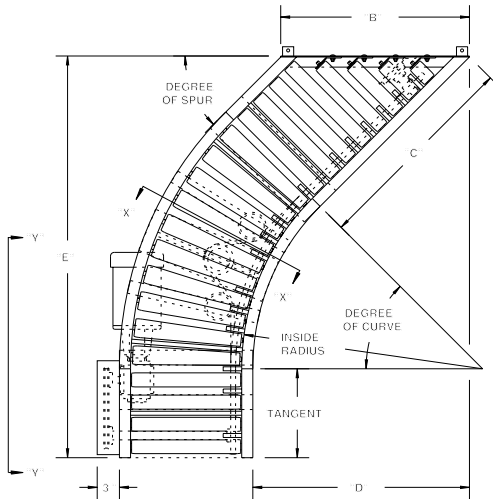


# MODEL 196LRCS MEDIUM DUTY BELT DRIVEN LIVE ROLLER CURVE SPUR

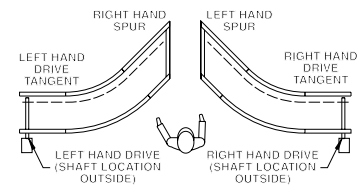
24 HOUR SHIPMENTS INCLUDE 45/45° & 60/30° CURVE SPURS

Conveyor shown with optional supports

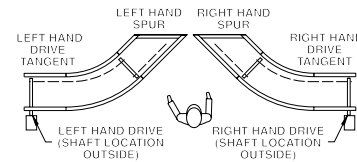
Model 196LRC features tapered rollers to maintain product orientation. Reversible, it is also commonly slave driven from 196VP and 196CALR conveyors.



DETERMINING DRIVE LOCATION



PERPENDICULAR LINE APPLICATION



PARALLEL LINE APPLICATION

## SPECIFICATIONS

**TREAD ROLLERS:** 2-1/2" dia. to 1-11/16" dia. x 14 ga. tapered rollers (model 254T); 1.9" dia. x 16 ga. (model 196S) straight tangent rollers.

**PRESSURE SHEAVES:** Provides drive belt pressure to upper tread rollers.

**BELT:** "B" section V-belt.

**TAKE-UP:** Screw type adjustable sheave with flat idler sheaves provided to maintain belt tension.

**TANGENTS:** 12" opposite spur end on 60/30 unit; 18" opposite spur end on 45/45 unit.

**BED:** 7" x 1-1/2" x 12 ga. formed steel channel frame.

**BEARINGS:** End shafts are supported by precision, heavy duty, lubricated, ball bearing units with cast iron housings.

**MOTOR DRIVE:** 1/3 HP, 230/460/3, 60 cycle, ODP right angle gear motor, located at infeed end of curve below bed.

**SPUR HAND/DRIVE LOCATION:** Drive located on outside of curve. Specify hand of spur as "left hand" or "right hand" and location of drive specified as "left hand drive" or "right hand drive".

NOTE: Drive location determined with reference point located at outside of curve. For models slave driven (less drive), specify drive shaft location.

**BELT SPEED:** 60 FPM, constant.

**ROLLER CHAIN:** Drive shaft is driven by No. 50 chain.

**CAPACITY:** 500 lb. total distributed live load.

**ELECTRICAL CONTROLS:** Optional.

HP@60 FPM	"A" MAX
1/3, 1/2	16-5/8"
3/4	17"
1	17-1/4"
1-1/2	18-1/8"
2	19"

NOTE: This unit is not recommended for accumulating loads.



**SPECIFICATION TABLE**

■ 24 hour shipment

UNIT			196LRCS - 45°/45°					196-LRCS - 60°/30°				
BF	OAW	INSIDE RADIUS	"B"	"C"	"D"	"E"	WT. (lbs.)	"B"	"C"	"D"	"E"	WT. (lbs.)
13"	16"	2'-8-1/2'	22-5/8"	26-1/2"	27-13/16"	58-21/32"	154	32"	37-1/8"	47-21/32"	57-13/32"	175
15"	18"	2'-8-1/2'	25-15/32"	28-1/2"	29-1/4"	60-3/32"	173	36"	40-9/16"	50-21/32"	59-1/8"	200
17"	20"	2'-8-1/2'	28-9/32"	30-1/2"	30-21/32"	61-1/2"	192	40"	44-1/32"	53-21/32"	60-7/8"	225
19"	22"	2'-8-1/2'	31-1/8"	32-1/2"	32-1/16"	62-29/32"	211	44"	47-1/2"	56-21/32"	62-19/32"	250
21"	24"	2'-8-1/2'	33-15/16"	34-1/2"	33-15/16"	65-5/16"	230	48"	50-31/32"	59-21/32"	64-11/32"	274
23"	26"	2'-8-1/2'	36-25/32"	36-1/2"	34-29/32"	65-23/32"	249	52"	54-9/16"	62-21/32"	66-1/16"	299
25"	28"	2'-8-1/2'	39-19/32"	38-1/2"	36-5/16"	67-5/32"	268	56"	57-29/32"	65-21/32"	67-13/16"	324
27"	30"	2'-8-1/2'	42-7/16"	40-1/2"	37-23/32"	68-9/16"	287	60"	61-3/8"	68-21/32"	69-17/32"	349
31"	34"	4'-0"	48-3/32"	44-1/2"	45-3/32"	82-11/32"	325	68"	68-9/32"	82-13/32"	86-13/32"	399
33"	36"	4'-0"	50-29/32"	46-1/2"	46-1/2"	83-25/32"	344	72"	71-3/4"	85-13/32"	88-5/32"	423
37"	40"	4'-0"	56-9/16"	50-1/2"	49-11/32"	86-19/32"	382	80"	78-11/16"	91-13/32"	91-5/8"	473
39"	42"	4'-0"	59-13/32"	52-1/2"	50-3/4"	88-1/32"	401	84"	82-5/32"	94-13/32"	93-11/32"	498

**OPTIONAL EQUIPMENT**

**SIDE MOUNTED END DRIVE:** Provides minimum overall conveyor height of 10".

**DRIVE:** Located on inside radius of curve.

**MOTORS:** Available through 3 HP in TEFC, explosion proof, dirty duty, brake motor, 115/230/1, 575/3, etc.

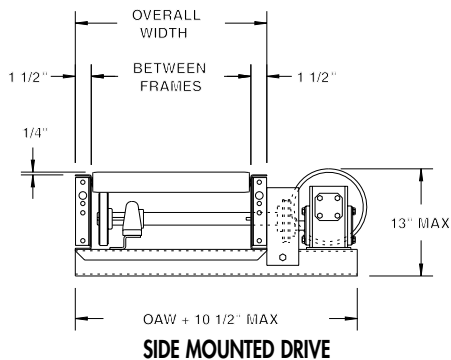
**SPEED:** Constant speed 10-120 FPM; DC variable speed; AC inverter variable speed. Other constant or variable speeds available.

**CEILING HANGERS:** 5/8" dia. threaded rod with hardware to attach rods to conveyor. Provides 6' clearance between ceiling and TOR (furnished in place of floor supports). See Conveyor Accessories.

**GUARD RAILS:** 1-3/4" x 1" formed channel (model GC), adjusts horizontally to 8" wider than roller and vertically to 6" above roller; formed steel fixed (model FSG in 2", 4", 6", 8", 12" and 18" heights; 1-1/2" angle (model GA1-1/2). See Conveyor Accessories.

**ELECTRICAL CONTROLS:** Magnetic starter (one direction or reversible); One direction manual starter; Momentary start/stop push button station; Forward/reversing /stop push button station.

**FLOOR SUPPORTS:** See Conveyor Accessories for various elevation and types.



**UNDERNEATH MOUNTED DRIVE**

